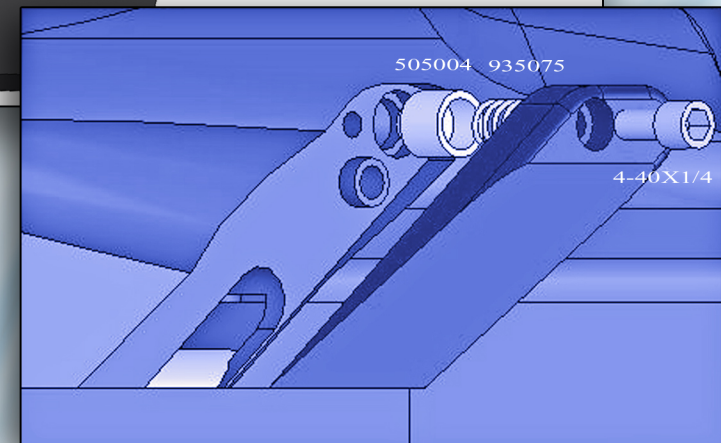
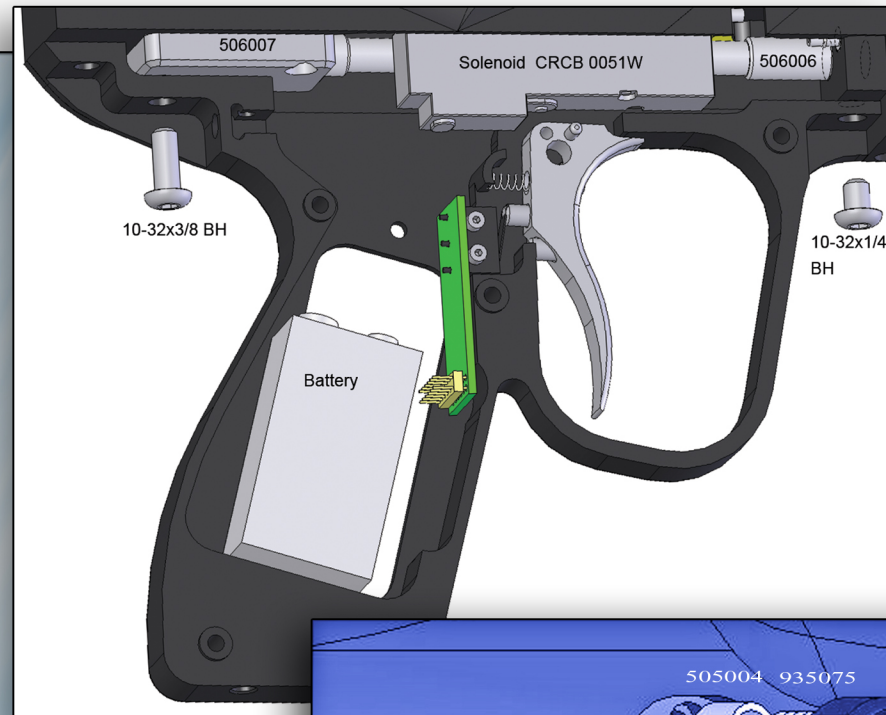


Item Number	Description	Qty
508001	MAIN BODY	1
506002	REG ADAPTER	1
508003	EYE COVER L AND R	1
505004	BALL DETENT	2
508005R	GRIP FRAME RIGHT SIDE	1
508005L	GRIP FRAME LEFT SIDE	1
506006	AIR FLOW TUBE	1
506007	REAR MANIFOLD BODY	1
508008	FEED NECK	1
508009	FEED CLAMP	1
505010	BARREL	1
505011	LP REG BODY	1
505012	LP REG ADJ.	1
505013	CUP HOUSING LPR	1
506014	CYLINDER	1
506015	PISTON	1
508016	VALVE PIN	1
508018	SLIDER	1
508021	CYLINDER BACK BODY	2
505021	REG CUP	1
505025	HIGH PRESSURE REG BODY	1
505026	HIGH PRESSURE REG BOTTOM	1
505027	HIGH PRESSURE REG TOP	2
505028	REG SPRING SPACER	2
505029	LP REG SPACER	1
506030	REG PISTON	1
505032	DROP ON-OFF KNOB	1
505033	DROP RAIL	1
505034	DROP BODY	1



2006 FS-8 Schematic